

LED Barn Light (Dusk to Dawn) Series



FEATURES

- Adjustable Wattage: 35W, 50W & 65W
- Adjustable CCT: 3,000K, 4,000K & 5,000K
- ON / OFF Photocell switch
- IP66 rated
- Corrosion resistant
- 50,000 hours lifetime

SUITABLE APPLICATIONS

- Commercial buildings
- Schools
- Barns
- Yards & Loading Docks
- Streets

CONSTRUCTION:

Cold forged aluminum housing with PC lens

ELECTRICAL:

Available as 120-277V input. -40°C to 45°C

OPTICAL SYSTEM:

SMD 2835 LED chips. 140° beam

INSTALLATION & MOUNTING:

Wall Mount or Arm Mount

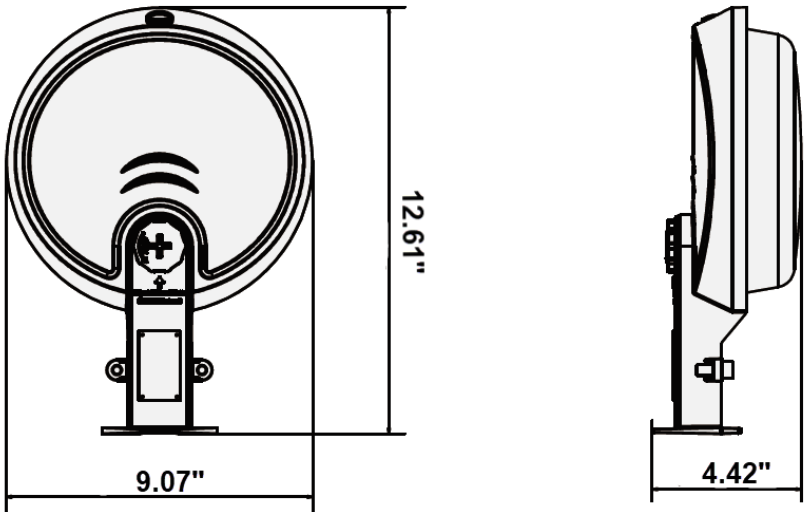
WARRANTY:

5-year limited warranty. Actual performance may differ as a result of end-user environment and application.



MODEL NUMBER	WATTAGE	LUMENS	EFFICACY @ MCCT (3,000K, 4,000K & 5,000K)	CRI	POWER FACTOR	THD
LOC-BL-MW(35/50/65)MCCT(30/40/50)	35W	5,420LM	155LM/W	>70	0.9	20%
LOC-BL-MW(35/50/65)MCCT(30/40/50)	50W	7,500LM	150LM/W	>70	0.9	20%
LOC-BL-MW(35/50/65)MCCT(30/40/50)	65W	9,420LM	145LM/W	>70	0.9	20%

MEASUREMENTS



QUANTITY	WEIGHT
1	3.31 lbs

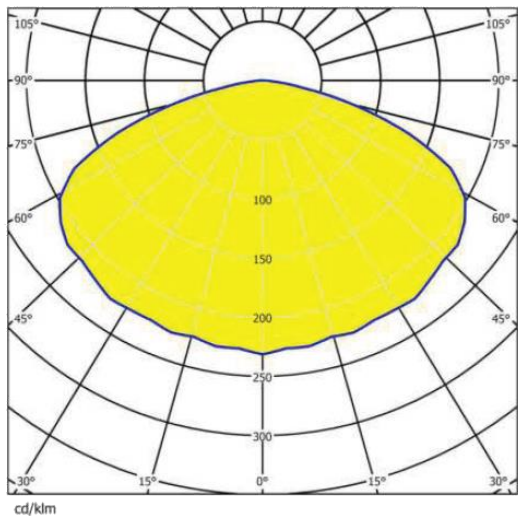
OPTIONAL ACCESSORIES



Arm Mount



PHOTOMETRIC DATA



140°